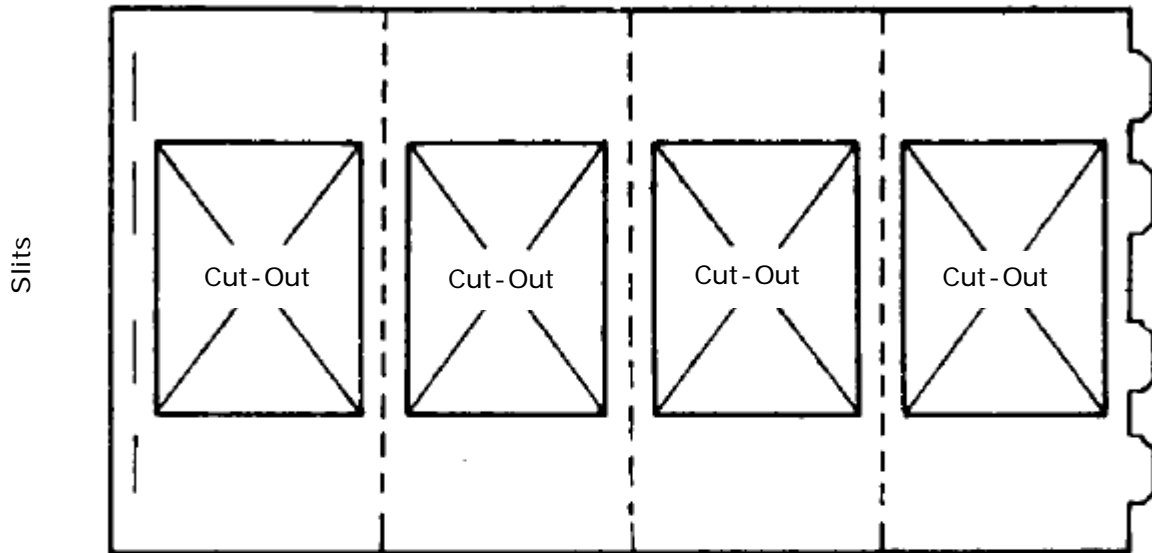




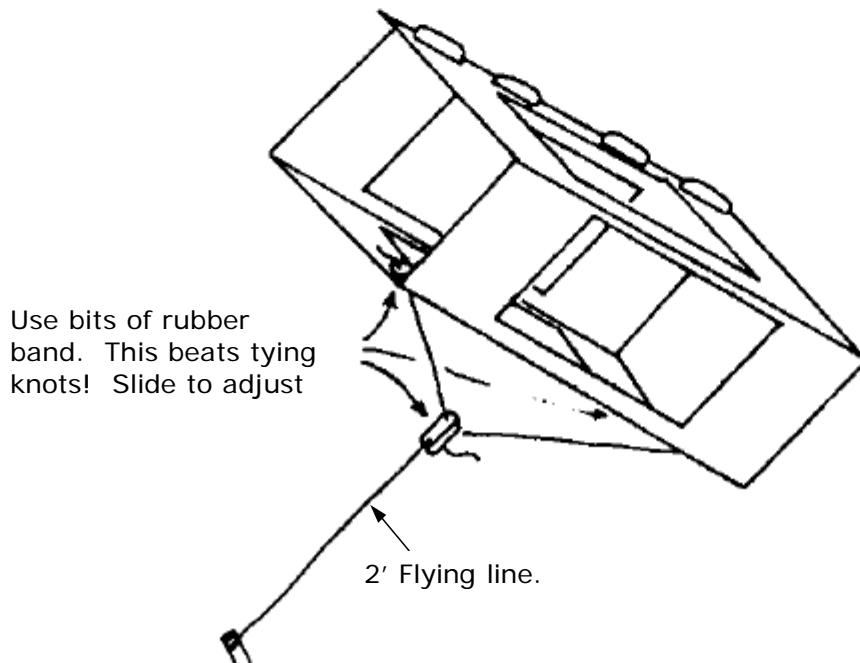
## *the Flutter Mouse Indoor Kite*

Fold



Construction:

1. Photocopy this page.
2. Cut out on solid lines. Cut out the centre squares marked. Cut the slits
3. Fold on the dotted lines and place tabs into slits.
4. Attach a bridle to the kite. Add 2' flying line and tie to a stick.
5. Go fly!



**Raymond Brandes**